

Outdoor PTZ dome IP camera



Outdoor H.264 PTZ Dome IP Camera - 27x Zoom

The camera includes TDSi's Video Analytic solution as standard and removable IR cut filter.

outdoor PTZ dome IP camera

DS0086_Issue 1

SPECIFICATIONS

TDSi Part No.	5012-0363
Camera Module	
Image Sensor	1/4" Sony Exview HAD CCD
Number of effective Pixel	NTSC - 768(H) x 494(V) 380 K PAL - 752(H) x 582(V) 440 K
Horizontal resolution	530 TVL
Lens (Optical) Lens (Digital)	27x Optical Zoom (F=1.6~F4.5, f=3.4 to 122.4 mm) 12x (324x with optical)
Day & Night (ICR)	Auto / Day / Night
Min. Shooting Distance	0.32m (Wide) / 1.5m (Tele)
Digital Slow Shutter	ON / OFF
Minimum Illumination	0.1 Lux (50 IRE): (Normal mode), 0.01 Lux (ICR On): (Night mode)
Luminance S/N ratio	More than 50dB
BLC	ON / OFF
WDR	Support
Flicker less (NTSC)	ON / OFF
PAN / TILT	
Pan Rotation Angle	360 Quick Endless Rotation
Pan Speed (Manual)	0.5° ~ 100 or 200° / sec (64 steps)
Pan Speed (Preset)	Max 300° / sec, Min 10° / sec
Tilt Rotation Angle	-2 ~ 90°
Tilt Speed (Manual)	0.5 ~ 45° / sec (64 steps)
Tilt Speed (Preset)	Max 250° / sec, Min 200° / sec
System Accuracy	0.024
Dome	
Presets	165 positions with 16 character labels available for each position with different speed steps
Guard Tour	Max 8 Groups (Each one consisting of up to 60 steps)
Auto Pan	Programmable Auto Scan
Pattern	8 Programmable Patterns (Total 480 seconds)
Sector	9 Selectable Sectors with 16 characters
Privacy Zone	24
Auto Flip	On / OFF
OSD menu	Yes
Video	
Compression Format	H.264, MPEG-4, MJPEG
Number of Streams	Dual Stream, Configurable
Resolution	D1, CIF, QCIF
Compression FPS	25/30 fps@D1
Deinterlacing	Support (DSP)
Motion Detection	Support (DSP)
Burnt-in Text (Digital)	Support (DSP)
Output	1 Loop Out (BNC Connector)

TDSi Part No.	5012-0363
Audio	
Input	1 channel
Output	1 channel
Compression Format	G.711
Function	
Digital Input	4 channel
Digital Output	2 channel
RS-485	Support
RS-232C	Not Available
Network	10 / 100 Base-T
Protocol	TCP/IP, UDP/IP, HTTP, RTSP, RTCP, RTP/UDP, RTP/TCP, SNTP, mDNS, UPnP, SMTP, SOCK, IGMP, DHCP, DDNS, SSL v2/v3, IEEE 802.1X, SSH
USB 2.0	Not Available
SD Memory Card Slot	Support (microSD type)
Electrical	
Power Source	18~32 VAC 60/50Hz 1.5A
Power over Ethernet	Not Available
Power Consumption (Approx)	36W Max
Environmental	
Fan / Heater	Fan and heater
Operating Temperature	-40°C ~ 50°C (-40°F ~ 122°F) (outdoor)
Certification	FCC/ CE, IP66 (outdoor)
Operating Humidity	Up to 85% RH (Non-condensing)
Mechanical	
Material	Aluminum , Anti-vandal bubble (Poly Carbonate)
Color	Cool gray
Dimension	Housing: 190(ø) x 307(H) mm
Weight (Approx)	5.7 kg
Video Content Analysis (Included as Standard)	
High Performance	Advanced Tracking Algorithm, Low False Alarm Rate
Easy to Use	Intuitive Web Browser Interface
Detection Zones	Multi-segment Polygons and Lines
On-screen Display	Real-time Display of Tracking Data and Events
Video Content Analysis (Option)	
Detection Behavior	Direction, Stopping, Loitering, Entering, Exiting, Appear, and Disappear Filters
3D Behavior	Perspective Corrected Size and Speed Filters
Statistics	Counting Functions and Other Statistics
Meta Data	Binary XML Format
Image Stabilization (Option)	
Electronic Stabilization	Removes Camera Sway

FEATURES & BENEFITS

Built-in Video Content Analytics
Up to 432X Zoom (Optical 36X, Digital 12X) Selectable
H.264 25/30 FPS@D1, 2-way Audio
Video Compression: H.264, MPEG-4, MJPEG (Dual Stream)
Day & Night (IR Cut Filter), DSS
De-interlacing on DSP
Burnt-in Text, Video Motion Detection Support
Providing only SDK, not Complete Application Software
Stealth Spin (World Most Silent Speed Dome)
0.024 Dome System Accuracy with 1/8 micro Step

Controlling Pan/Tilt Speed While Zooming
Reliable Materials
Power Misconnection Protection Function on RS-485 Terminal

ORDERING INFORMATION

Part Number: 5012-0363

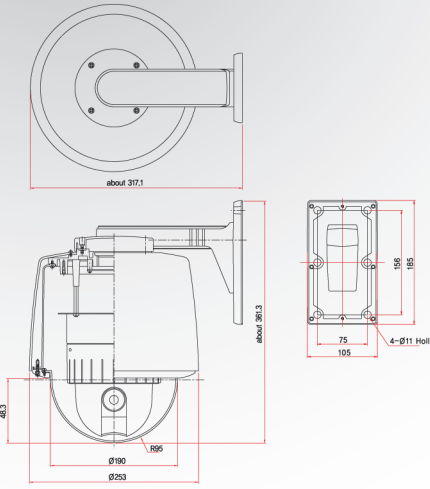


TDSi UK
 Unit 10 Concept Park,
 Innovation Close,
 Poole,
 Dorset BH12 4QT
 United Kingdom
 t: +44 (0)1202 723535
 f: +44 (0)1202 724975
 e: sales@tdsi.co.uk

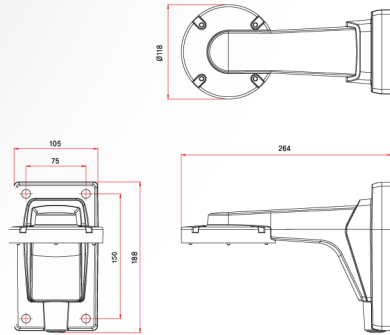
TDSi France
 Immeuble ATRIA,
 2 rue du Centre,
 93160 NOISY LE GRAND,
 France
 t: +33 (0)1 58 84 20 90
 f: +33 (0)1 58 84 20 91
 e: infos@tdsi-france.com

TDSi China
 Rm 103, 1 Bld,
 Shangsha Innovation Science
 & Technology Park,
 9283 Binhai Road,
 Futian District,
 Shenzhen 518048,
 P.R.China
 t: 86-755-82535725,
 82535720
 f: 86-755-82535770
 e: tdsiinfo@microgarde.com.cn

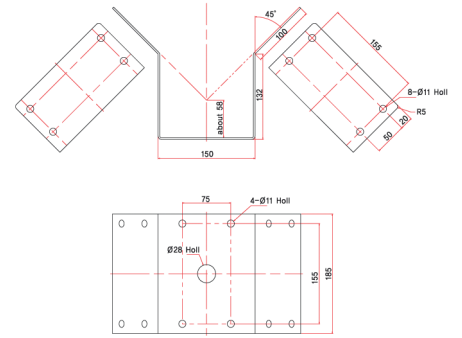
outdoor PTZ dome IP camera



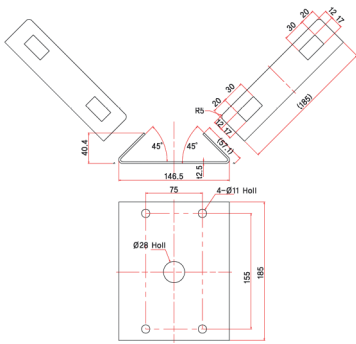
5012-0363



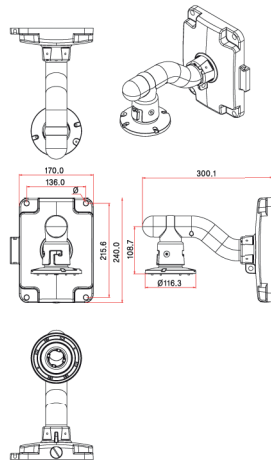
Wall Mount Bracket
5012-0413



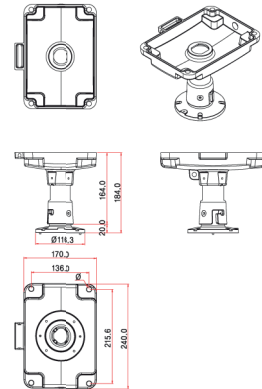
Corner Mount Adaptor
5012-0430



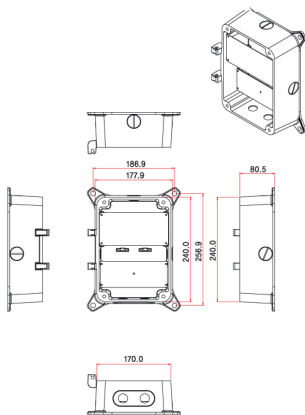
Pole Mount Adaptor
5012-0434



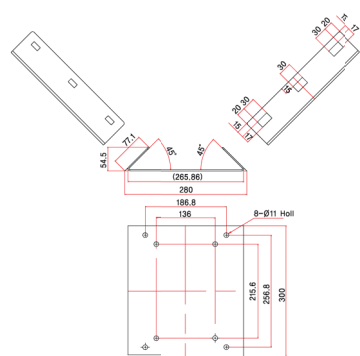
Wall Mount Bracket
5012-0414



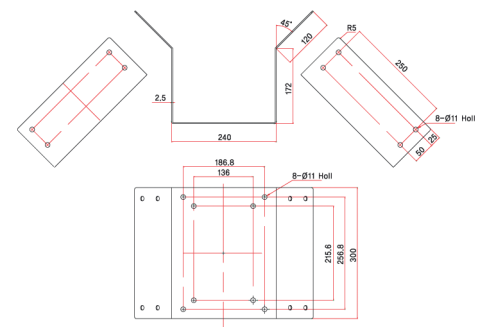
Ceiling Mount Bracket
5012-0424



Junction Box
5012-0460



Corner Mount Adaptor
5012-0433



Pole Mount Adaptor
5012-0434